

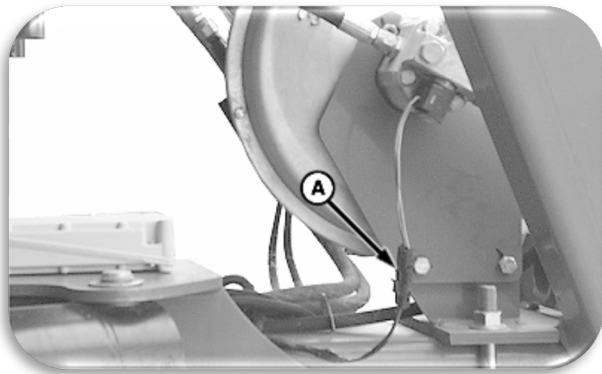
Today's high-capacity central-fill planters are making planting more efficient thanks to fewer stops on the turn rows to fill up.



The central tank does, however, create a challenge for growers who would like to put out product trials or other agronomic plots.

Follow these step-by-step instructions when planting plots with a John Deere CCS planter:

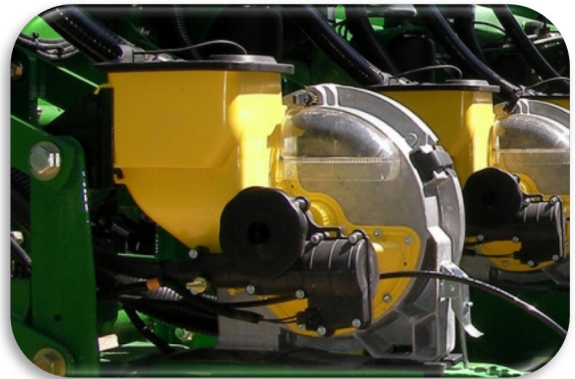
1. Shut off the CCS fan. This is the fan that blows the seed from the tank out to row units.



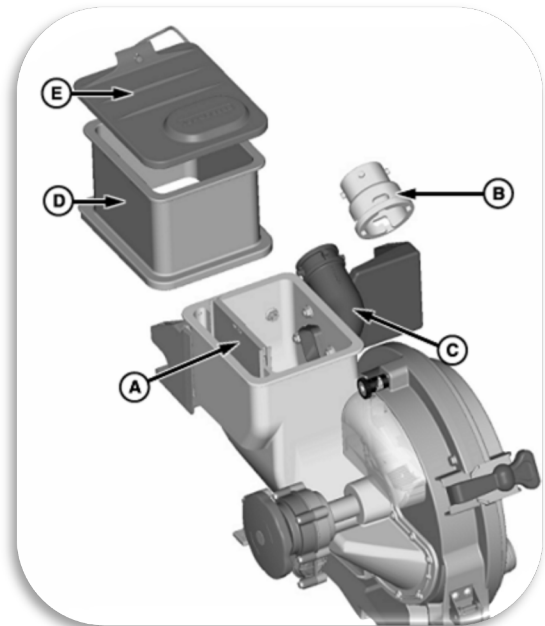
*Disconnect the harness (A) to stop the CCS fan.*

2. Install cap (B - right) on mini-hopper hose inlet (C - right) to prevent plot seed from backing into the delivery hose.

3. Fill the mini-hoppers with seed. A mini-hopper will plant approximately ¼-mile long plot, depending on seed size.



4. If a ½-mile plot length is required, add a hopper extension (D - below). It is OK to stack up to two hopper extensions.



5. Changing seed: Hoppers may be emptied out with a shop vacuum by adding a section of 1" PVC to the end of the hose or dumped out just like hopper units.

Top left image from <http://www.agweb.com/seeding-equipment/>. Planter schematics from John Deere online Operator's Manual. © John Deere is a registered trademark of Deere & Company.

